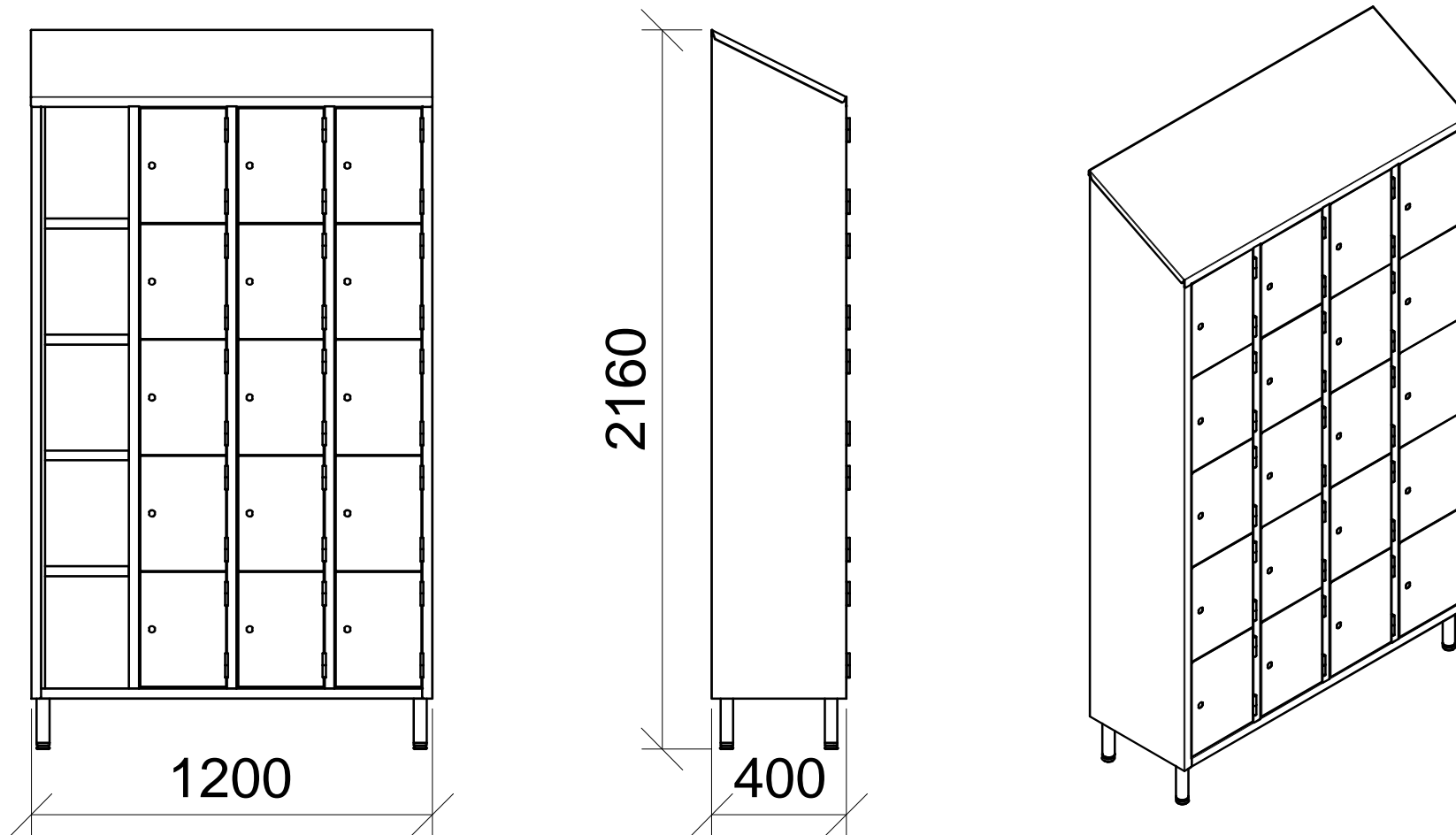


# Stainless steel pigeonhole locker 4 column 5-tier, 20 individual doors

Dimensions in mm



## CHARACTERISTICS: 21 gauge

- 0,8 mm thick stainless steel.
- 2J finish (Scotch-Brite®).
- Dustproof slanting top.
- 4 column solution.
- 5 individual doors per column.
- Adjustable screw on feet.

Code: X4007/20-02

**FACILITAS**

Via Lazio 7 A/B/C - 41050 Montale Rangone (MO)  
Web: [www.facilitas.it](http://www.facilitas.it) @: [facilitas@facilitas.it](mailto:facilitas@facilitas.it)  
Tel: +39 (0)59-530570 Fax: +39 (0)59-4909000