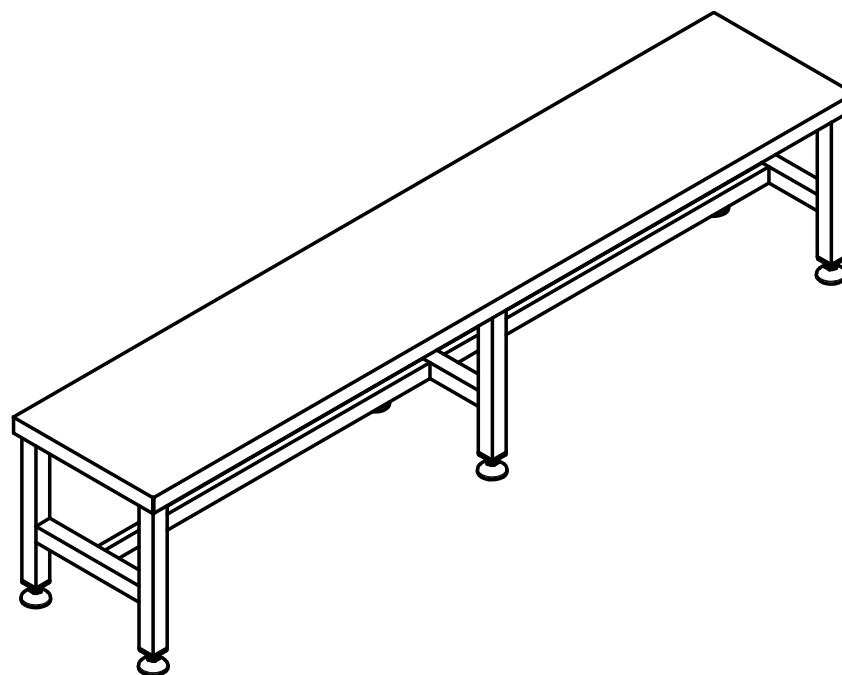
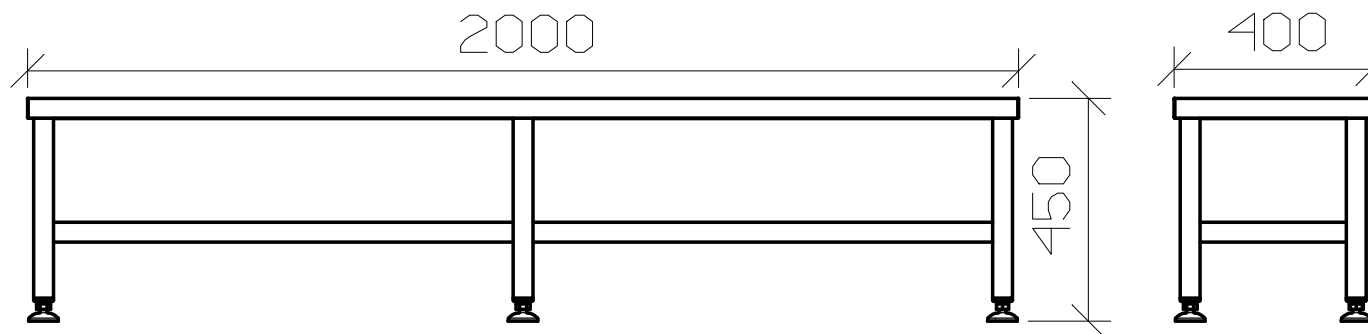


Stand-alone stainless steel bench

Dimensions in mm



CHARACTERISTICS: 19 gauge

- 1,0 mm thick stainless seat.
- 2J finish (Scotch-Brite®).
- 40x40 tubular structure.
- 6 fixed legs.
- H reinforcement for legs.
- Adjustable feet.

Code: X7003

FACILITAS

Via Lazio 7 A/B/C - 41050 Montale Rangone (MO)
Web: www.facilitas.it @: facilitas@facilitas.it
Tel:+39 (0)59-530570 Fax:+39 (0)59-4909000