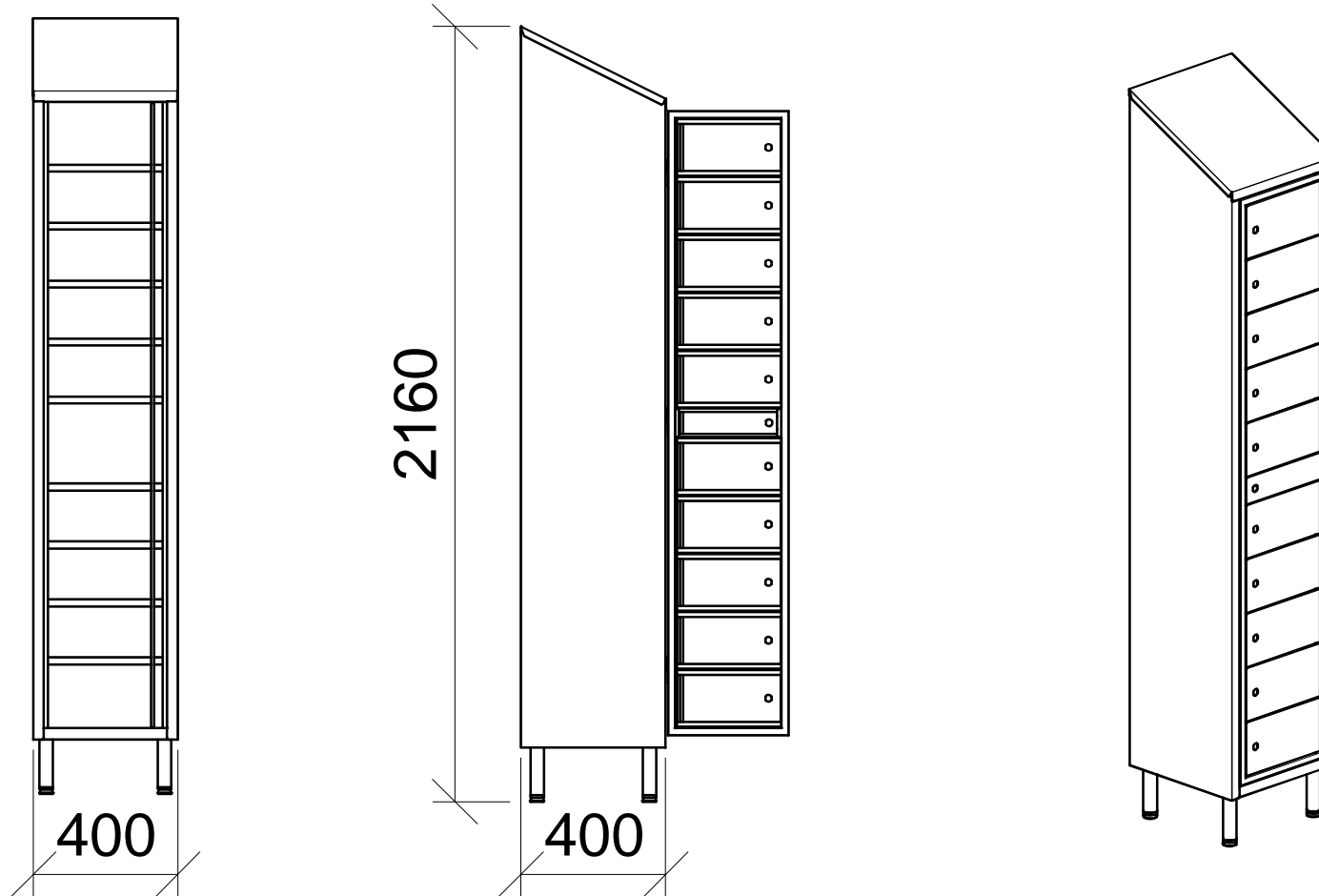


# Stainless steel clean clothes distribution locker 1 main + 10 secondary doors

Dimensions in mm



## CHARACTERISTICS: 21 gauge

- 0,8 mm thick stainless steel.
- 2J finish (Scotch-Brite®).
- Dustproof slanting top.
- 1 main door w/universal cylindrical key lock.
- 10 individual doors per column.
- Adjustable screw on feet.

Code: X4000-10



Via Lazio 7 A/B/C - 41050 Montale Rangone (MO)  
Web: [www.facilitas.it](http://www.facilitas.it) @: [facilitas@facilitas.it](mailto:facilitas@facilitas.it)  
Tel:+39 (0)59-530570 Fax:+39 (0)59-4909000